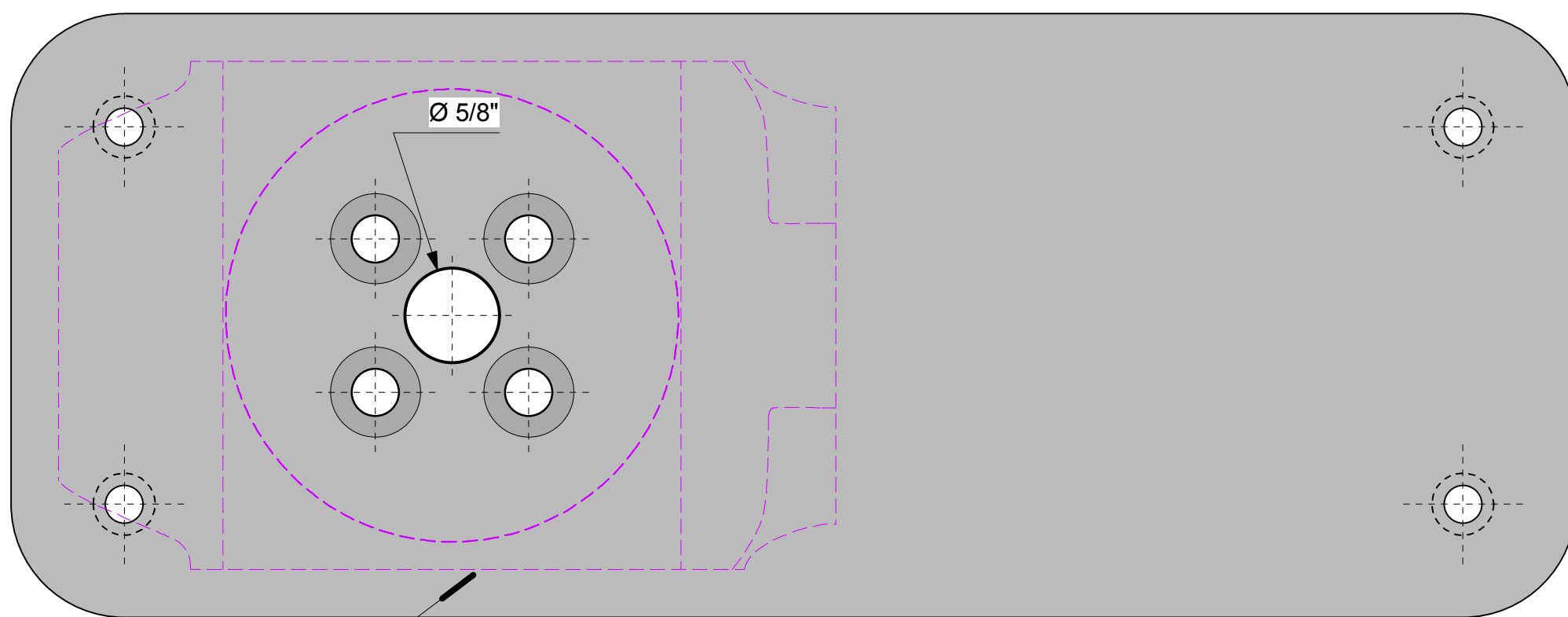
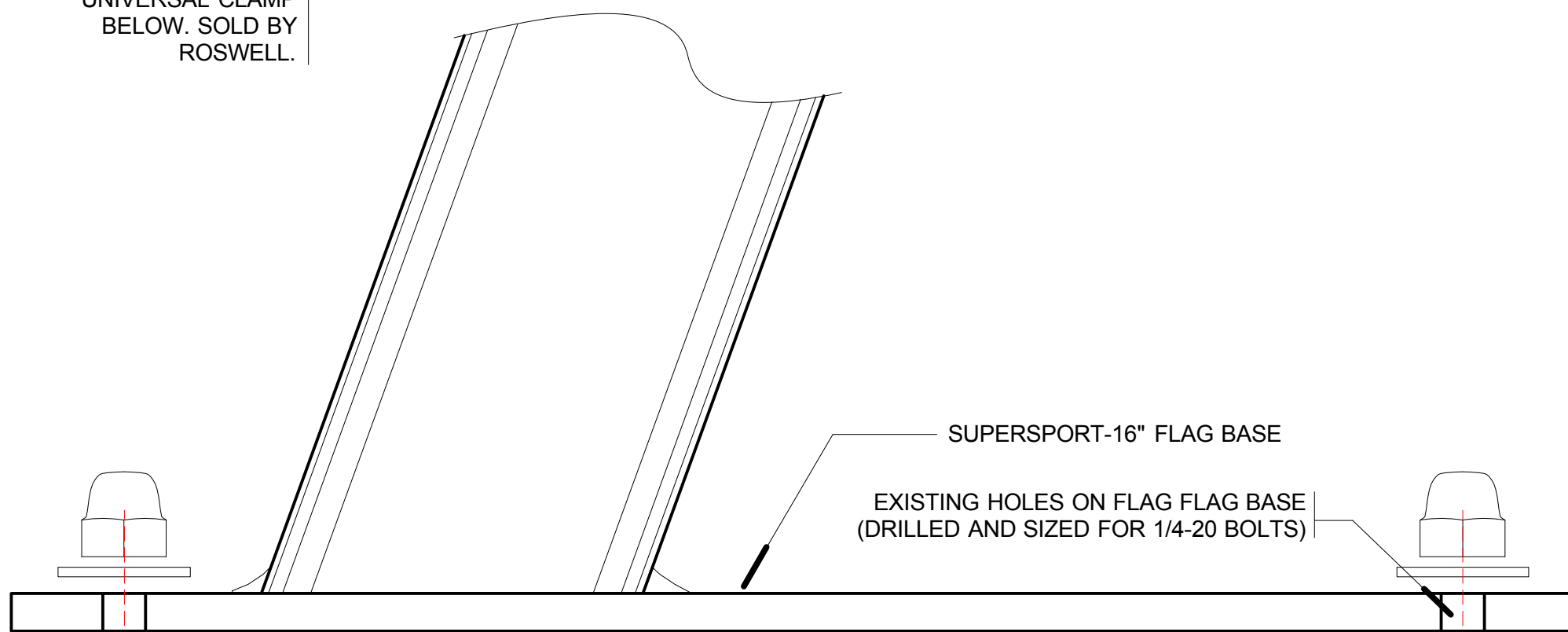


# ADAPTER PLATE FOR ROSWELL CLAMPS: APRC-16



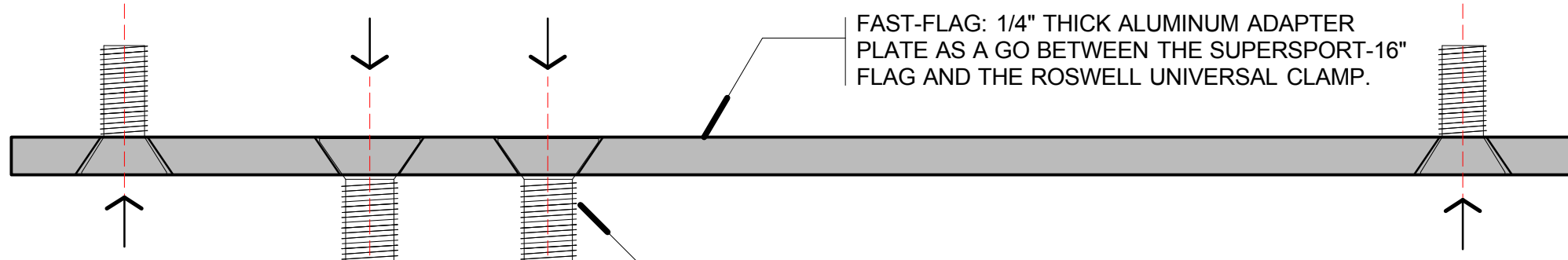
ROSWELL: 360 3" UNIVERSAL CLAMP BELOW. SOLD BY ROSWELL.

ADAPTER PLATE FOR MOUNTING SS-16 TO ROSWELL 360 3" UNIVERSAL CLAMPS.

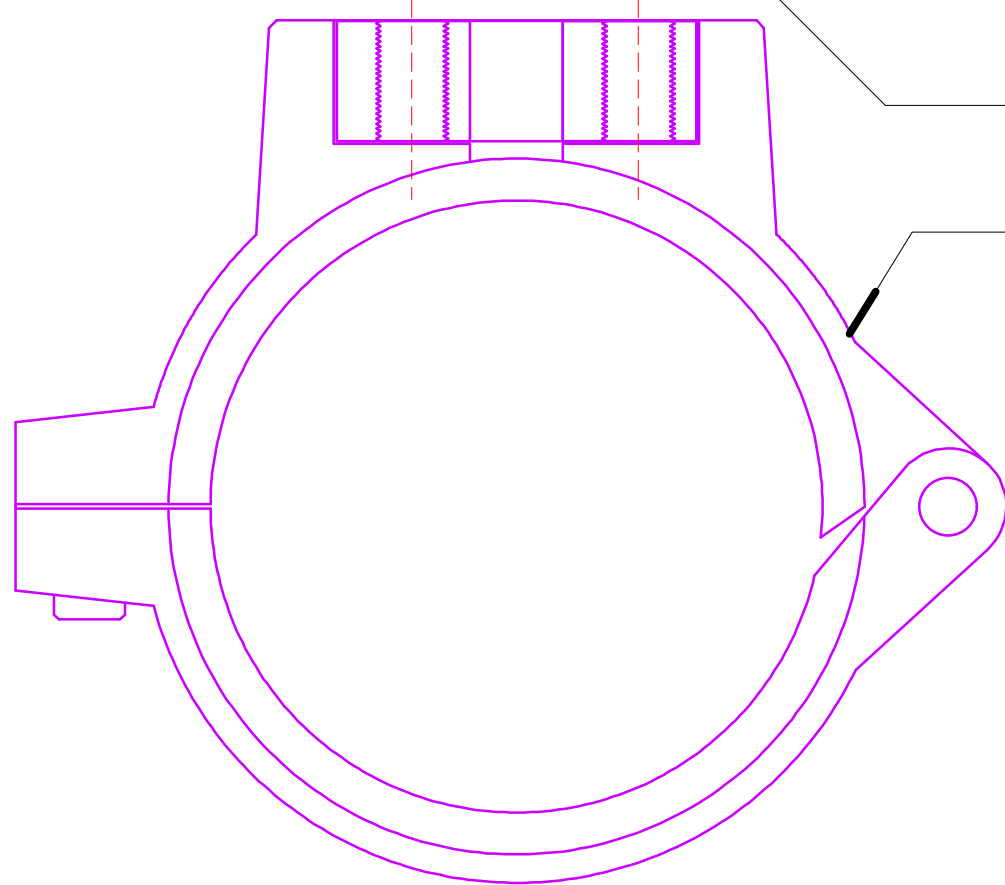


SUPERSPORT-16" FLAG BASE

EXISTING HOLES ON FLAG FLAG BASE (DRILLED AND SIZED FOR 1/4-20 BOLTS)

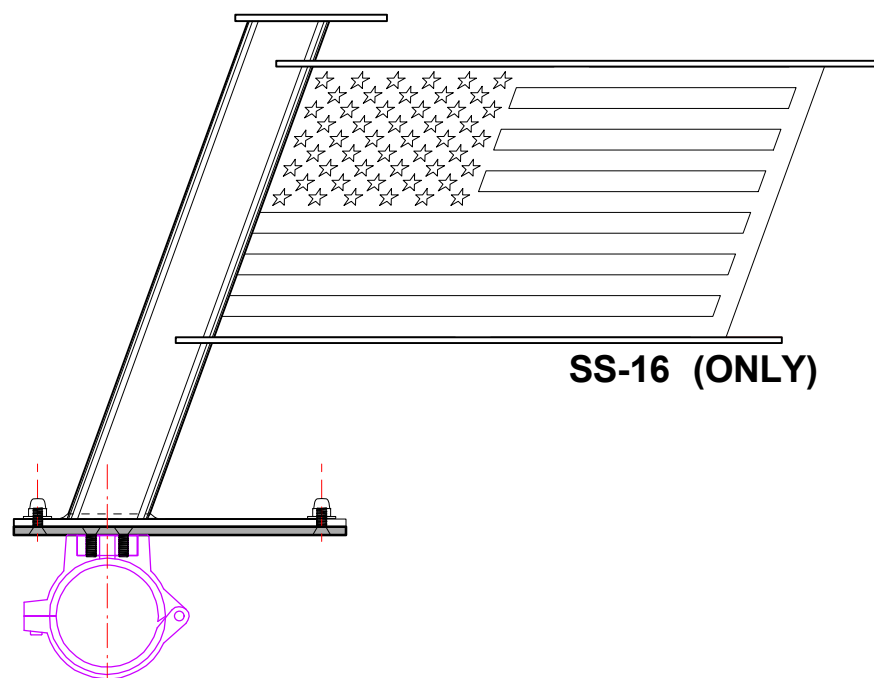


FAST-FLAG: 1/4" THICK ALUMINUM ADAPTER PLATE AS A GO BETWEEN THE SUPERSPORT-16" FLAG AND THE ROSWELL UNIVERSAL CLAMP.



3/8"-16 COARSE THREAD FLUSH BOLT (COUNTER SUNK FROM TOP OF PLATE DOWNWARD TO ROSWELL UNIVERSAL CLAMP)

ROSWELL: 360 3" UNIVERSAL CLAMP. SOLD BY ROSWELL



SS-16 (ONLY)

NOTE: THIS ADAPTER PLATE ONLY FITS SUPERSPORT 16" FLAGS (SS-16)

