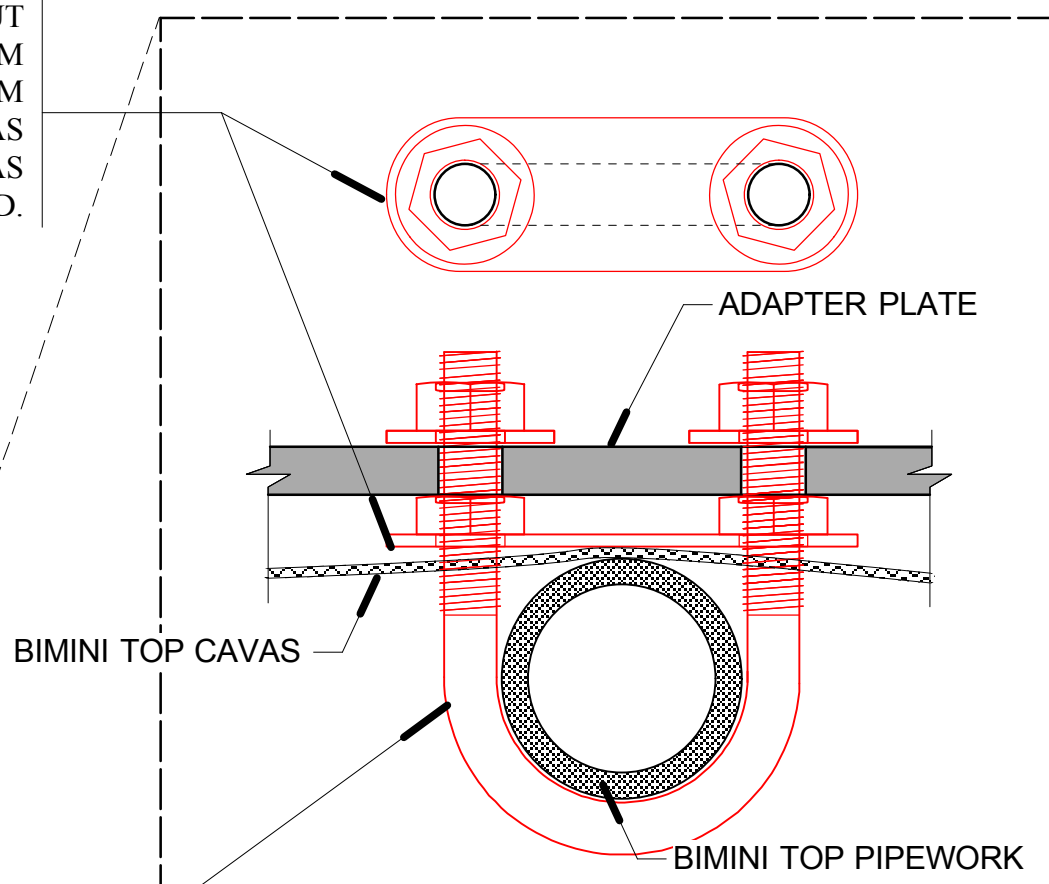
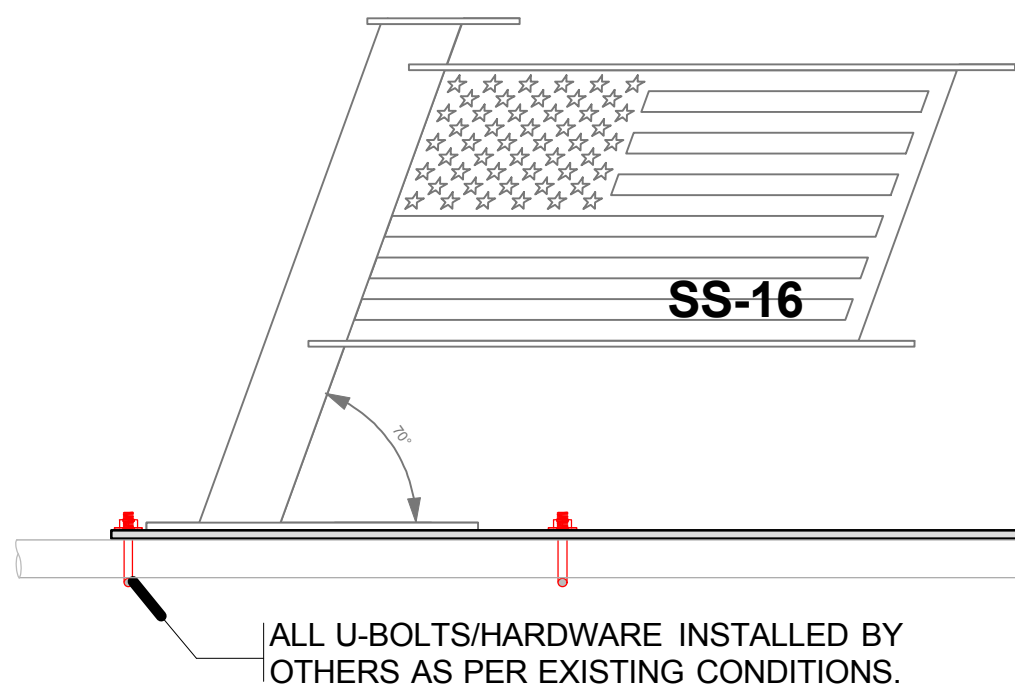


ADAPTER PLATE FOR SOFT TOPS: APST-16

DESIGNED TO SPECIFICALLY TO FIT SuperSport - 16

ALTERNATE U-BOLT WITH SPACER NUT
 NOTE: THIS MAY BE NEEDED TO OFFSET THE ADAPTER PLATE FROM CANVAS TO ALLOW FOR ENOUGH SPACE TO CHASE WIRES TO AND FROM ANCHOR LIGHT. ALL INSTALLATION HARDWARE NOT INCLUDED AS EACH AND EVERY BOAT IS UNIQUE. SIZE HARDWARE AS REQUIRED/NEEDED.



ALL INSTALLATION HARDWARE INCLUDING U-BOLTS, WASHERS AND LOCKNUTS TO BE FURNISHED AND INSTALLED BY OTHERS AS PER EXISTING CONDITIONS.

NOTE: THIS ADAPTER PLATE IS DESIGNED SPECIFICALLY FOR USE **ONLY** WITH FAST-FLAG'S SuperSport 16.

SOME ADJUSTMENTS AND MODIFICATIONS MAY BE REQUIRED TO FIT YOUR BOATS PIPEWORK.

