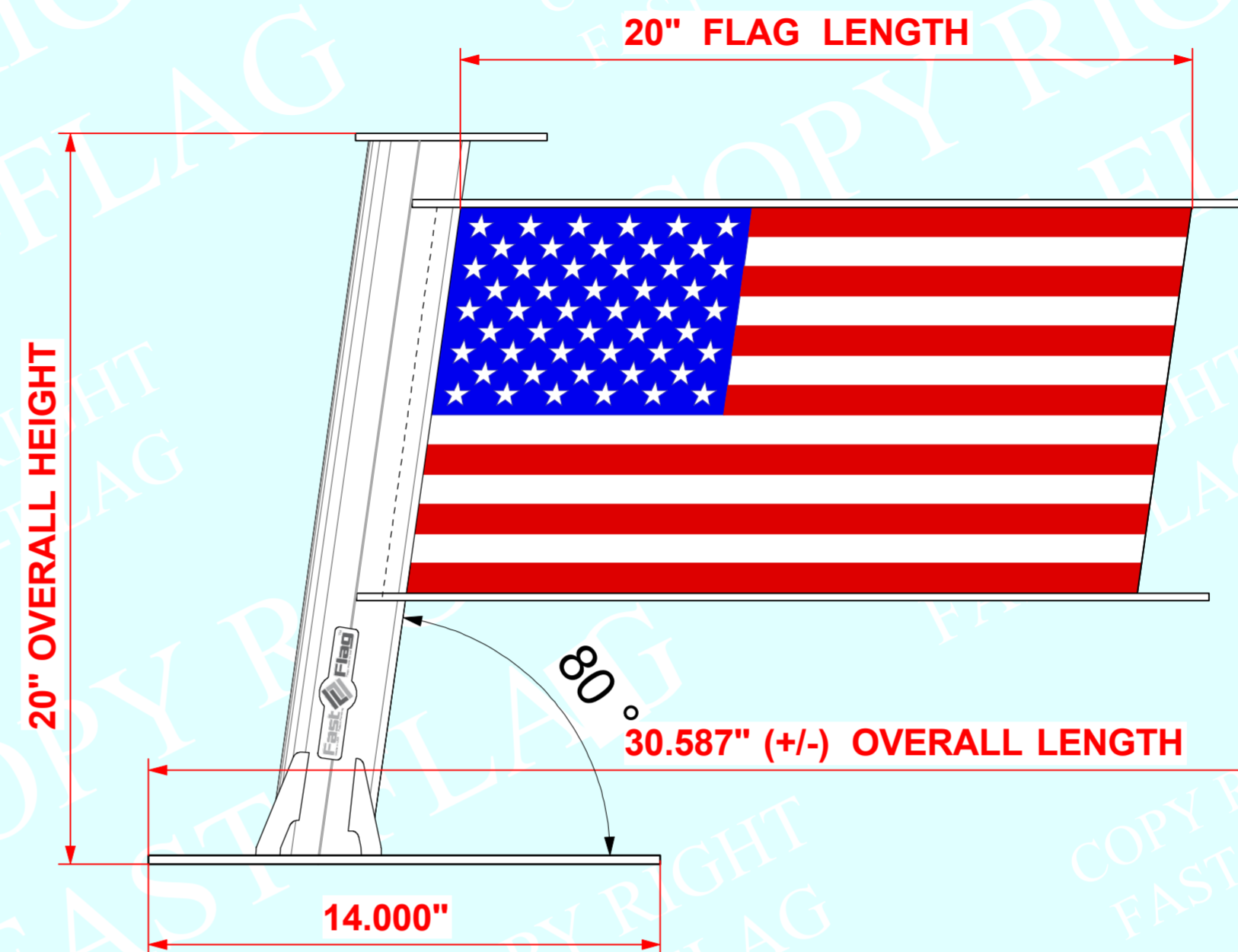
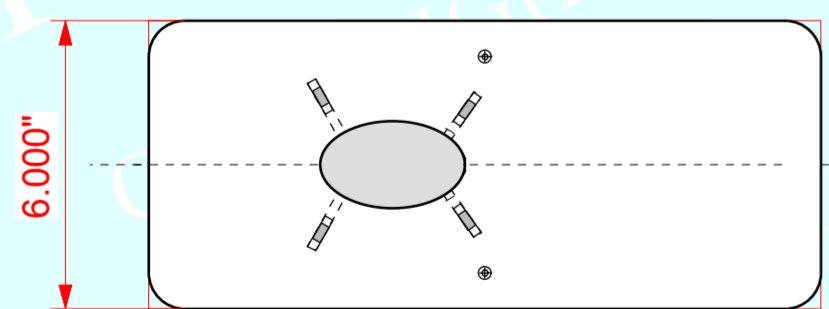
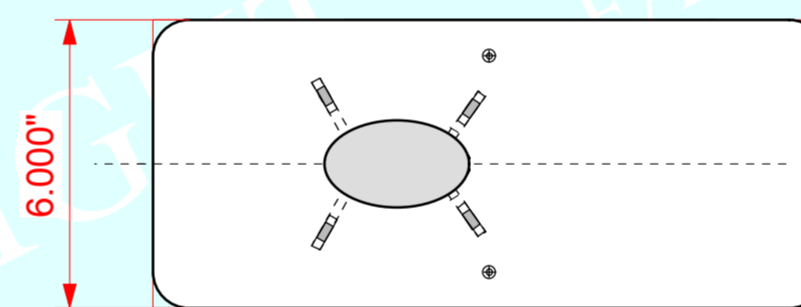


FF-20 STENCIL



FF-20 SOLID



U.S. Patent No. 10, 783,812
 U.S. Patent No. 10, 783,813
 Foreign Patent Pending

CONFIDENTIAL AND PRIVILEGED: This document and any attachments may contain information that is privileged, confidential, patent, trademark, and copyright protected. The information herein is protected from disclosure to anyone other than its intended recipient(s). Any dissemination or use of this document or its contents, including any attachments by persons other than the intended recipient(s) is strictly prohibited.

FAST-FLAG: FastForward 20

CONFIDENTIAL AND PRIVILEGED: This document and any attachments may contain information that is privileged, confidential, patent, trademark, and copyright protected. The information herein is protected from disclosure to anyone other than its intended recipient(s). Any dissemination or use of this document or its contents, including any attachments by persons other than the intended recipient(s) is strictly prohibited.



FAST-FLAG LLC
 3425 Radio Road, Suite 213
 Naples, FL 34104
 Office: 239-529-6662
 Cell: 301-466-3391
 Fax: 239-529-5274
 tom@fast-flag.com
 www.yourfastflag.com

ISSUE DATE:
 DRAWN BY:
 REVISIONS:

COPY RIGHT NOTICE:
 THIS DRAWING, ALL CONTENTS AND INFORMATION CONTAINED HEREIN IS THE EXCLUSIVE PROPERTY OF FAST-FLAG LLC. UNAUTHORIZED USE OF THESE PLANS WITHOUT THE PRIOR WRITTEN CONSENT IS STRICTLY PROHIBITED.

FF-20.01

DWG #: