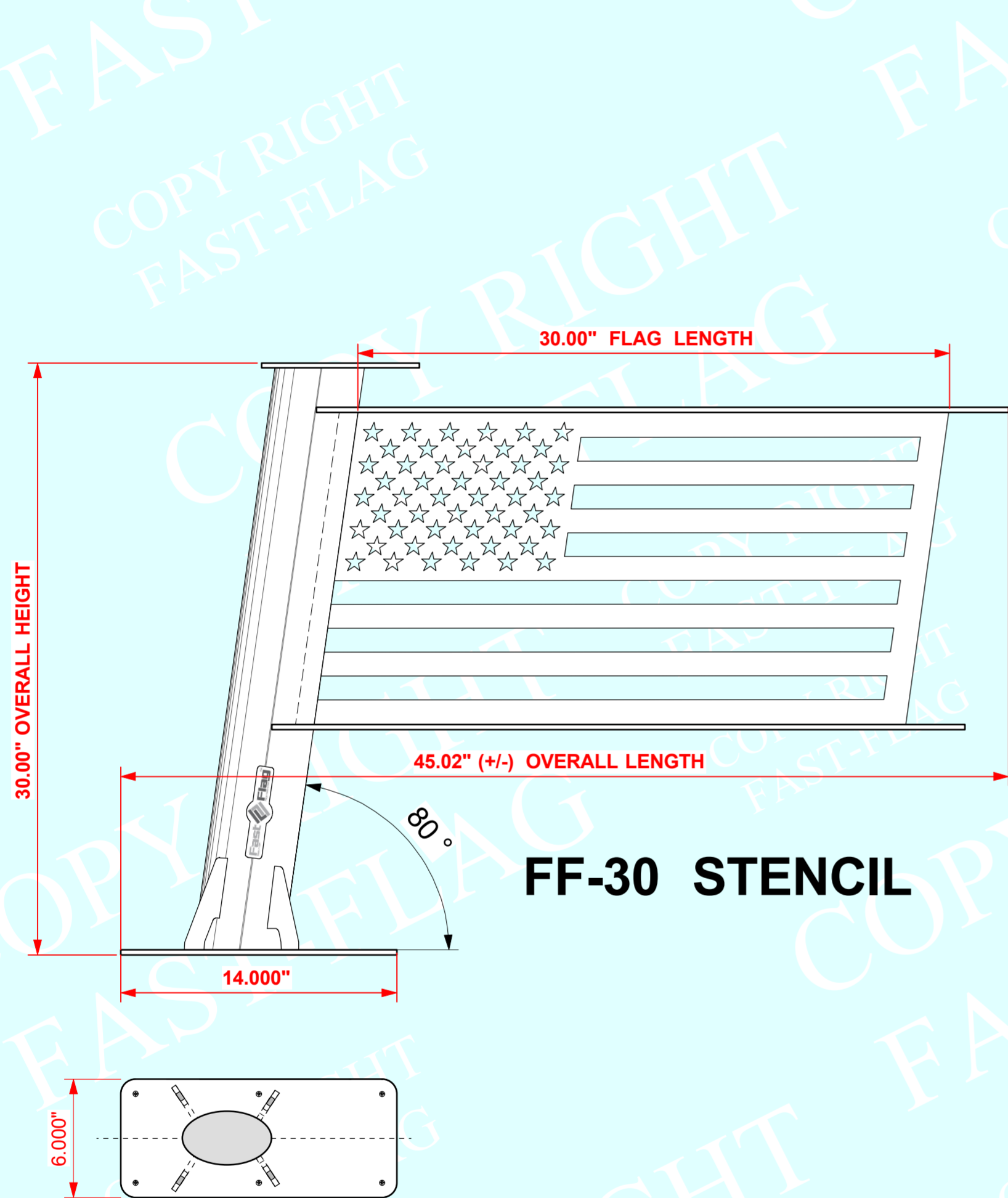


COPY RIGHT
FAST-FLAG

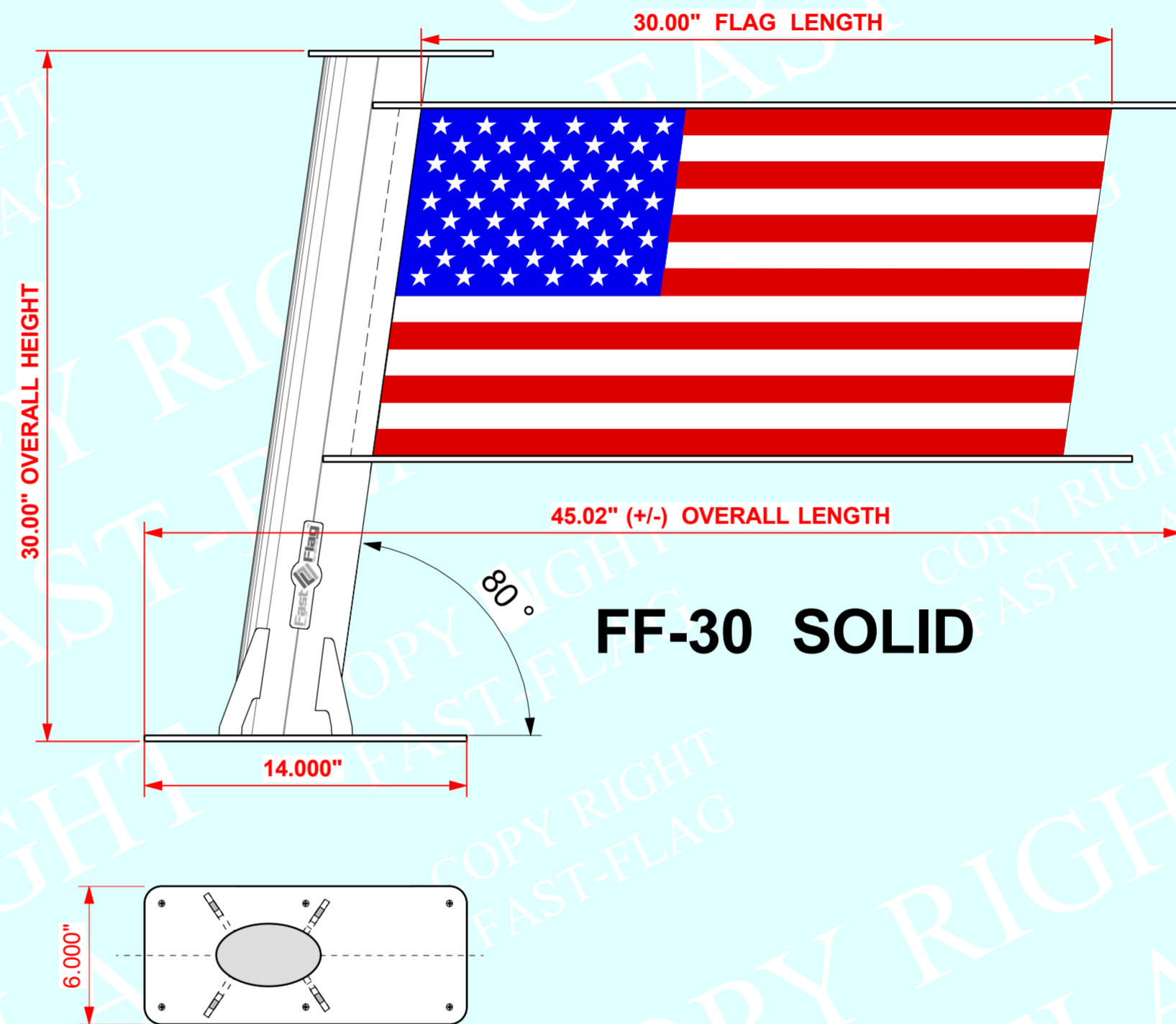
COPY RIGHT
FAST-FLAG

COPY RIGHT
FAST-FLAG

COPY RIGHT
FAST-FLAG



FF-30 STENCIL



FF-30 SOLID

U.S. Patent No. 10, 783,812
U.S. Patent No. 10, 783,813
Foreign Patent Pending

CONFIDENTIAL AND PRIVILEGED: This document and any attachments may contain information that is privileged, confidential, patent, trademark, and copyright protected. The information herein is protected from disclosure to anyone other than its intended recipient(s). Any dissemination or use of this document or its contents, including any attachments by persons other than the intended recipient(s) is strictly prohibited.

FAST-FLAG: FastForward 30

CONFIDENTIAL AND PRIVILEGED: This document and any attachments may contain information that is privileged, confidential, patent, trademark, and copyright protected. The information herein is protected from disclosure to anyone other than its intended recipient(s). Any dissemination or use of this document or its contents, including any attachments by persons other than the intended recipient(s) is strictly prohibited.



FAST-FLAG LLC
3425 Radio Road, Suite 213
Naples, FL 34104
Office: 239-629-6662
Cell: 301-466-3391
Fax: 239-629-5274
tom@fast-flag.com
www.yourfastflag.com

ISSUE DATE:
DRAWN BY:
REVISIONS:

COPY RIGHT NOTICE:
THIS DRAWING, ALL CONTENTS AND INFORMATION CONTAINED HEREIN IS THE EXCLUSIVE PROPERTY OF FAST-FLAG LLC. UNAUTHORIZED USE OF THESE PLANS WITHOUT THE PRIOR WRITTEN CONSENT IS STRICTLY PROHIBITED.

FF-30.01

DWG #: